

## *Model 1H*

- Coolant Life Extended
- Wash Solution Life Extended
- Improved Washing Operation
- Cleaner Machine Tools
- Increase Life of Filters
- Reduced Amount of Chemicals

  
**OILSKIMMERS, INC.®**  
OSI ENVIRONMENTAL

440.237.4600  
[www.oilskim.com](http://www.oilskim.com)

# Model 1H

## 10 SOLID REASONS why you should opt for OIL SKIMMERS, INC. Model 1H

The Model 1H oil skimmer is the smallest and most compact of the tube type oil skimmers manufactured by Oil Skimmers, Inc. The unit was designed to operate in part washers, coolant systems and collection tanks that have small access or surface areas. It is constructed of stainless steel with a ceramic drive wheel and has an adjustable motor mount sub-assembly to allow the skimmer to skim from varying depths.

The tube floats on the surface of the liquid attracting the oil which adheres to it's outside. It is continuously drawn into the skimmer where it goes through a series of scrapers. These scrapers strip off the oil which then drains into a collection vessel. In addition to the standard mounting assembly special mounts are available for top and side mounting.

### 1. The unique method of oil removal

A unique floating tube system, continuously draws the oil covered tube through scrapers and returns the clean tube to the water surface to gather more oil. Movement of the tube draws the oil from corners of the tank.

### 2. Operates - Whenever required

Can work 24/7 if needed to assure complete oil removal.

### 3. Picks up oil and not water

The floating tube attracts only oil.

### 4. Long lasting / Low maintenance

The internal and external components of skimming system are specially engineered and tested to offer you long life with minimum maintenance. A High Quality Small Skimmer.

### 5. The perfect solution for tight, hard-to-reach spaces

The compactly designed system ensures less installation space and can be used for small, confined applications.

### 6. Ease of Installation

The simplified design of the skimmer mount facilitates ease of installation.

### 7. Portable, versatile unit

The Model 1H weighs less than 25 pounds, thus it can be moved easily from one location to another.

### 8. Manufactured by reliable and reputable company

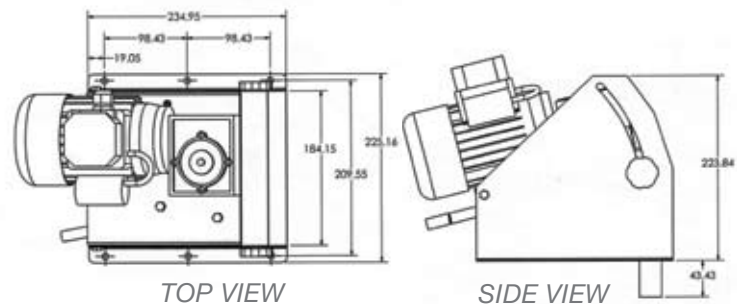
With more than 4 decades of experience, Oil Skimmers, Inc., has installed thousands of units throughout the world.

### 9. On-location survey, counsel

Our technical experts offer recommendations for your oil skimming needs. Representatives located throughout the world.

### 10. Significant cost savings and energy benefits

The Model 1H has an operational life of 10-15 years, and is built to work on low powered electrical consumption to enhance recovery value of waste oil.



Motor: 0.11 Kw. (0.15 HP). Voltage: 115 or 240 Volts.  
Hertz: 50 or 60 Hz. Capacity: 5.5 to 8 liters (1.5 to 2.0 gallons)  
per hour. Max temperature: Standard Tube 60 °C (140 °F)  
Super Tube 100 °C (212 °F).

\*For larger applications OIL SKIMMERS, INC., offers  
Model 5H and Model 6V Brill™.  
Visit us at [www.oilskim.com](http://www.oilskim.com).



© Copyright 2010 by Oil Skimmers, Inc.  
® Registered trademarks of Oil Skimmers, Inc

For further information, call or write:  
OIL SKIMMERS, INC.  
P.O Box 33092  
Cleveland, Ohio 44133 USA  
Phone: (440) 237-4600 Fax: (440) 582-2759  
E-mail: [info@oilskim.com](mailto:info@oilskim.com)